

# Control Transformers

ENT.PST Series



ENTES control transformers ensure safe operation of devices with their 24 VAC output voltage. In addition to products with 230 or 400 V constant voltage inputs, transformers with alternate input voltages (400; 230+15-15) are available. Control transformers are designed for continuous operation under 50°C ambient temperature. All ENTES control transformers have **CE** mark and are compatible with EN standards.



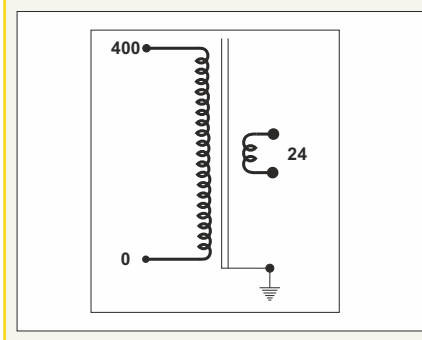
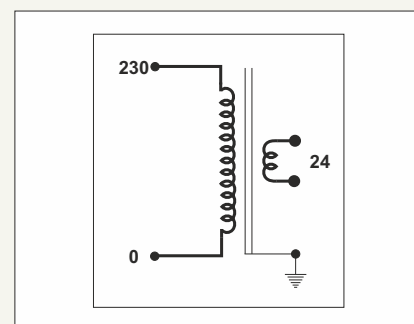
## Features

- Compatible with TS.EN 61558-2-2
- Vacuum impregnated varnish method that improves efficiency by reducing heat losses, provides protection against humidity, and enables quiet operation.
- Welding of sheet metal with air gap that minimizes the enclosure grounding resistance
- Preserving its nominal output value up to 50°C ambient temperature
- Iron core with high magnetic permeability
- High quality copper winding
- Class 1 transformer
- Minimum primary-secondary isolation voltage values: 2200 VAC for 400V transformers, 1800 VAC for 230V transformers

	Nominal Power (VA) (at 50°C)	Short - Term Power	Weight (kg)	Terminal-Cross Section	A (mm)	B (mm)	C (mm)	D (mm)	E (mm)	F (mm)	H (mm)
<b>230V / 24V</b>											
ENT.PST.2324.25	25	51	1	4 mm <sup>2</sup>	66	76	80	50	64	80	5*8
ENT.PST.2324.50	50	97	1,5	4 mm <sup>2</sup>	84	76	91	64	64	82	5*8
ENT.PST.2324.100	100	209	1,9	4 mm <sup>2</sup>	84	76	91	64	64	96	6*9
ENT.PST.2324.160	160	338	2,4	4 mm <sup>2</sup>	96	89	99	84	74	100	6*9
ENT.PST.2324.200	200	419	3	4 mm <sup>2</sup>	96	89	99	84	74	100	6*9
ENT.PST.2324.250	250	559	3,4	4 mm <sup>2</sup>	96	102	99	84	87	114	6*9
ENT.PST.2324.320	320	689	4,4	4 mm <sup>2</sup>	120	90	127	90	83	92	6*9
ENT.PST.2324.400	400	961	5,6	4 mm <sup>2</sup>	120	102	127	90	95	106	7*13
ENT.PST.2324.500	500	1260	7,1	4 mm <sup>2</sup>	120	122	127	90	109	126	7*13
ENT.PST.2324.630	630	1520	7,6	10 mm <sup>2</sup>	150	113	141	122	89	120	7*13
<b>400V / 24V</b>											
ENT.PST.4024.25	25	51	1	4 mm <sup>2</sup>	66	76	80	50	64	80	5*8
ENT.PST.4024.50	50	96	1,5	4 mm <sup>2</sup>	84	76	91	64	64	82	5*8
ENT.PST.4024.100	100	218	2	4 mm <sup>2</sup>	84	76	91	64	64	96	6*9
ENT.PST.4024.160	160	344	2,4	4 mm <sup>2</sup>	96	89	99	84	74	100	6*9
ENT.PST.4024.200	200	460	2,9	4 mm <sup>2</sup>	96	89	99	84	74	100	6*9
ENT.PST.4024.250	250	584	3,4	4 mm <sup>2</sup>	96	102	99	84	87	114	6*9
ENT.PST.4024.320	320	749	4,4	4 mm <sup>2</sup>	120	90	127	90	83	92	6*9
ENT.PST.4024.400	400	909	5,5	4 mm <sup>2</sup>	120	102	127	90	95	106	7*13
ENT.PST.4024.500	500	1241	7,1	4 mm <sup>2</sup>	120	122	127	90	109	126	7*13
ENT.PST.4024.630	630	1556	7,6	10 mm <sup>2</sup>	150	113	141	122	89	120	7*13

\*On-demand production in different voltage values up to 2500VA

## ENT.PST Series



# Control Transformers

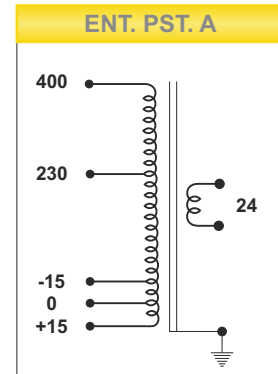
## ENT.PST Series

### 400 - 230 / 24 V With Alternative Input (15-0-15 V)

400-230/24V	Nominal Power (VA) (at 50°C)	Primary Voltage (V)	Short-Term Power	Weight (kg)	Terminal Cross-Section	A (mm)	B (mm)	C (mm)	D (mm)	E (mm)	F (mm)	H (mm)
ENT.PST.A4024.25	25	400	51	1	4 mm	66	76	80	50	64	80	5*8
ENT.PST.A4024.50	50	400	97	1,5	4 mm <sup>2</sup>	84	76	91	64	64	82	5*8
ENT.PST.A4024.100	100	400	218	2	4 mm <sup>2</sup>	84	76	91	64	64	96	6*9
ENT.PST.A4024.160	160	400	344	2,4	4 mm <sup>2</sup>	96	89	99	84	74	100	6*9
ENT.PST.A4024.200	200	400	460	2,9	4 mm <sup>2</sup>	96	89	99	84	74	100	6*9
ENT.PST.A4024.250	250	400	584	3,4	4 mm <sup>2</sup>	96	102	99	84	87	114	6*9
ENT.PST.A4024.320	320	400	749	4,4	4 mm <sup>2</sup>	120	90	127	90	83	92	6*9
ENT.PST.A4024.400	400	400	909	5,5	4 mm <sup>2</sup>	120	102	127	90	95	106	7*13
ENT.PST.A4024.500	500	400	1241	7,1	4 mm <sup>2</sup>	120	122	127	90	109	126	7*13
ENT.PST.A4024.630	630	400	1556	7,6	10 mm <sup>2</sup> 4 mm <sup>2</sup>	150	113	141	122	89	120	7*13

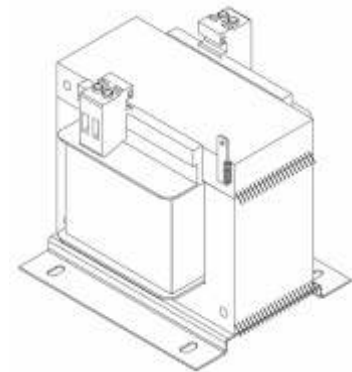
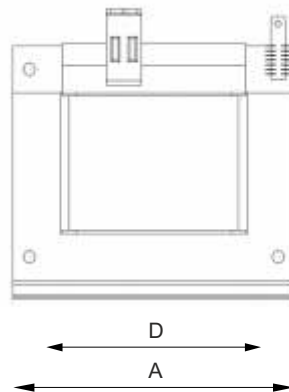
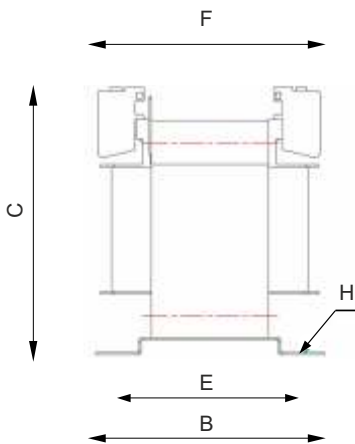
\*On-demand production in different voltage values up to 2500VA

### Connection Diagram

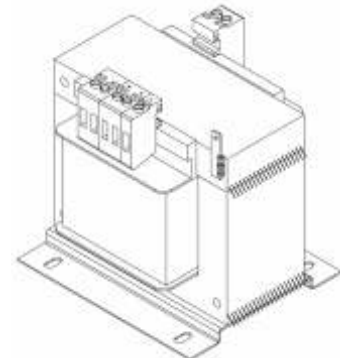
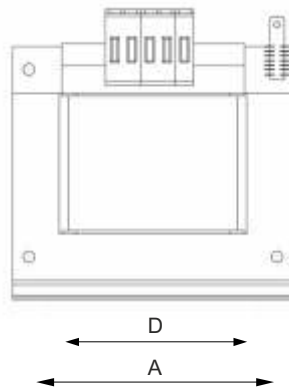
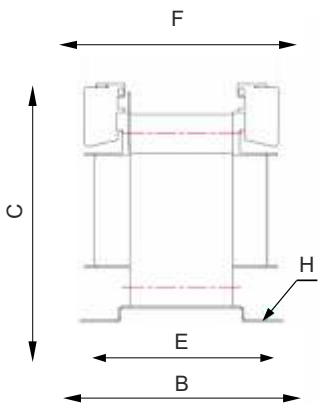


### Dimensions

#### 230/24V & 400/24V



#### 400-230/24V With Alternative Input (15-0-15V)



Connection diagrams are given for reference. Please always check the latest user manual given with product or download from [www.entec.com.tr](http://www.entec.com.tr)

